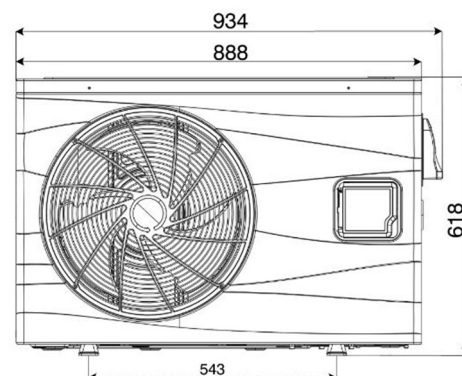




iX9 Heat Pump Specifications



Air 27°C Water 26°C	Heating Capacity	kW	1.6 ~ 9.4
	Consumed Power	kW	0.11 ~ 1.6
	COP		14.5 ~ 6.0
Air 15°C Water 26°C	Heating Capacity	kW	1.0 ~ 6.6
	Consumed Power	kW	0.14 ~ 1.35
	COP		7.1 ~ 4.9
Air 35°C Water 29°C	Cooling Capacity	kW	1.9 ~ 3.2
	Consumed Power	kW	0.7 ~ 1.3
	COP		2.7 ~ 2.5
Technical Specifications	Operating Air Temperature	°C	-7.0 ~ 43.0
	PV Ready		Yes
	Rapid Heat		Yes
	Refrigerant		R32
	IPX Rating		IPX4
	Airflow	m ³ /h	2600
	Sound Pressure at 1m	dB(A)	40 ~ 52
	Net Dimensions	<i>L x W x H</i>	934 x 360 x 618
	Shipping Dimensions	<i>L x W x H</i>	970 x 410 x 630
	Net / Shipping Weight	Kg	42 / 54
Electrical	Power Supply	V/Ph/Hz	240/1/50
	Electrical Connection		10A plug
	Running Current Input	<i>per phase</i> amp	6.9
Water	Connection	mm	40
	Flow Volume	l/m	42
	Pressure Drop	<i>max</i> kPa	3.0

