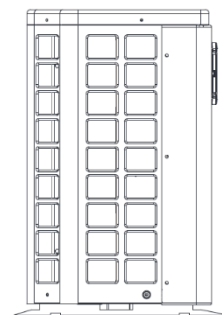
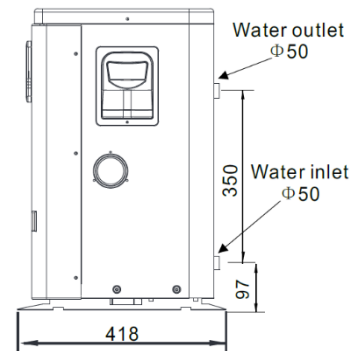
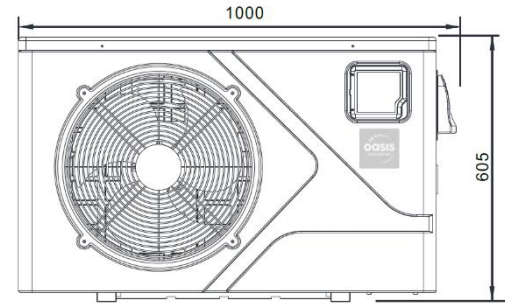




I SERIES

I12 Heat and Chill Heat Pump Specifications



Performance Condition: Air 27°C / Water 26°C

Heating Capacity	kW	2.9 ~ 12
Running Current	A	1.1 ~ 9.4

Performance Condition: Air 19°C / Water 26°C

Heating Capacity	kW	2.0 ~ 8.6
Running Current	A	1.5 ~ 9.2
Heating Power Input	kW	0.16 – 1.3
Cooling Capacity	kW	3.7
Cooling Power Input	kW	1.5
Running Current	A	1.1 ~ 7.2
Power Supply	V/Ph/Hz	10 AMP Plug
Compressor Quantity		1
Compressor		Rotary
Fan Quantity		1
Fan Power Input	W	100
Fan Rotate Speed	RPM	400 – 800
Fan Direction		Horizontal
Noise 1m	dB(A)	40 – 50
Water Connection	Mm	40
Water Flow Volume	l/m	53
Water Pressure Drop (max)	kPa	4
Unit Shipping Dimensions	Mm (L/W/H)	1040 X 435 X 615
Net Weight / Shipping Weight	kg	45 / 54

Cooling capacity is based on 19 °C ambient air temperature and 26°C water temperature

Head Office
Oasis Technologies
Phone: 09 535 8891

Victoria
62 Parkhurst Dr
Knoxfield VIC 3180
T: 03 9887 2131

New South Wales
Unit 1, 20-22 Foundry Rd
Seven Hills NSW 2147
T: 02 9838 0000

Queensland
Unit 4, 8 Reichert Dr
Molendinar QLD 4214
T: 07 5679 6821

South Australia
Sahara Pools & Solar
Phone: 0412 204 306

oasisheatpumps.com