



## ELITE ALLOY SERIES

# AC 21 Heat and Chill Heat Pump Specifications

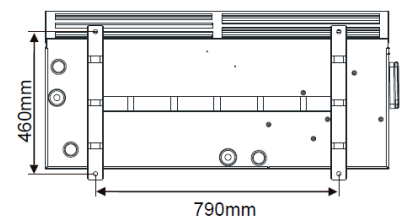
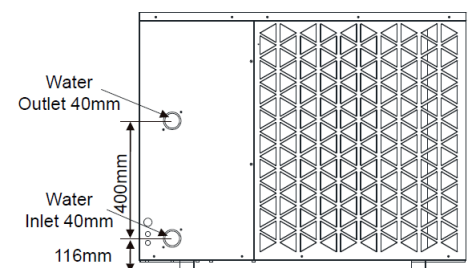
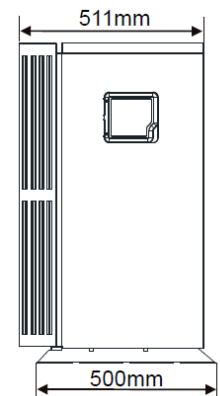
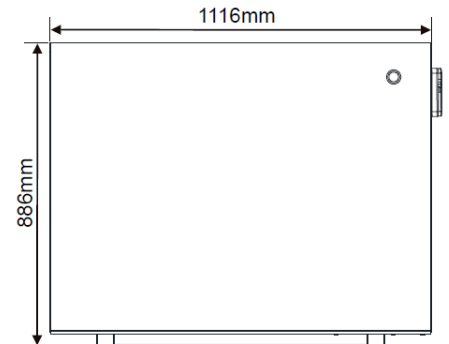


### Performance Condition: Air 27°C / Water 26°C

Heating Capacity	kW	21.0
Running Current	A	13.7

### Performance Condition: Air 19°C / Water 26°C

Heating Capacity	kW	18.2
Heating Power Input	kW	13.7
Cooling Capacity	kW	3.0
Cooling Power Input	kW	12
Running Current	A	3.6
Power Supply	V/Ph/Hz	13.7
Compressor Quantity		240/1/50
Compressor		1
Fan Quantity		Rotary
Fan Power Input	W	1
Fan Rotate Speed	RPM	120
Fan Direction		850
Noise	dB(A)	Horizontal
Water Connection	Mm	56
Water Flow Volume	l/m	40
Water Pressure Drop (max)	kPa	100
Unit Shipping Dimensions	Mm (L/W/H)	20
Net Weight / Shipping Weight	kg	1200 x 570 x 900



Cooling capacity is based on 19 °C ambient air temperature and 26°C water temperature

**Head Office**  
Oasis Technologies  
Phone: 09 535 8891

**Victoria**  
62 Parkhurst Dr  
Knoxfield VIC 3180  
T: 03 9887 2131

**New South Wales**  
Unit 1, 20-22 Foundry Rd  
Seven Hills NSW 2147  
T: 02 9838 0000

**Queensland**  
Unit 4, 8 Reichert Dr  
Molendinar QLD 4214  
T: 07 5679 6821

**South Australia**  
Sahara Pools & Solar  
Phone: 0412 204 306

[oasisheatpumps.com](http://oasisheatpumps.com)