



## C SERIES - SEMI COMMERCIAL

# C38 Heat and Chill Three Phase Heat Pump Specifications



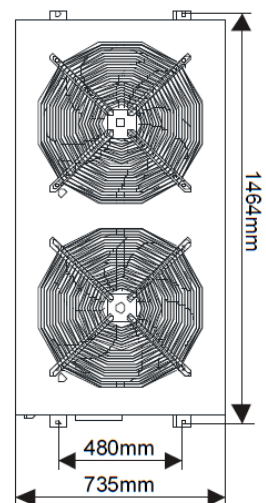
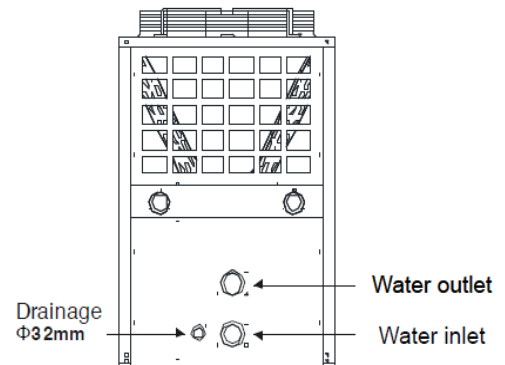
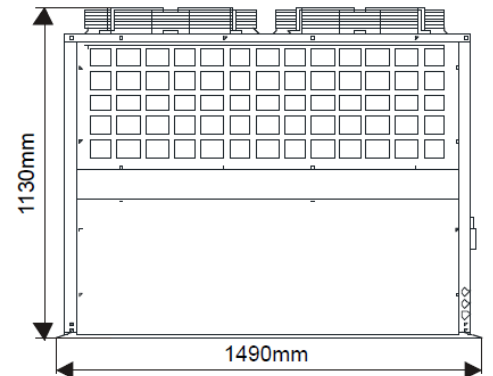
### Performance Condition: Air 27°C / Water 26°C

Heating Capacity	kW	49
Running Current	A	11.5

### Performance Condition: Air 19°C / Water 26°C

Heating Capacity	kW	38.0
Heating Power Input	kW	7.0
Cooling Capacity	kW	24
Cooling Power Input	kW	7.8
Running Current	A	11.5
Power Supply	V/Ph/Hz	400V/3/50
Compressor Quantity		2
Compressor		Scroll
Fan Quantity		2
Fan Power Input	W	120x2
Fan Rotate Speed	RPM	830
Fan Direction		Horizontal
Noise	dB(A)	61
Water Connection	Mm	50
Water Flow Volume	l/m	200
Water Pressure Drop (max)	kPa	25
Unit Shipping Dimensions	Mm (L/W/H)	1520 x 790 x 1360
Net Weight / Shipping Weight	kg	252/286

Cooling capacity is based on 19 °C ambient air temperature and 26°C water temperature



**Head Office**  
**Oasis Technologies**  
 Phone: 09 535 8891

**Victoria**  
 62 Parkhurst Dr  
 Knoxfield VIC 3180  
 T: 03 9887 2131

**New South Wales**  
 Unit 1, 20-22 Foundry Rd  
 Seven Hills NSW 2147  
 T: 02 9838 0000

**Queensland**  
 Unit 4, 8 Reichert Dr  
 Molendinar QLD 4214  
 T: 07 5679 6821

**South Australia**  
**Sahara Pools & Solar**  
 Phone: 0412 204 306

[oasisheatpumps.com](http://oasisheatpumps.com)