



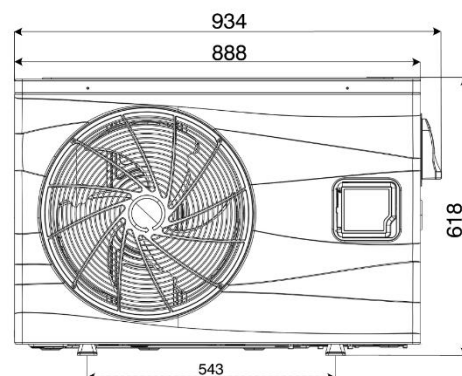
iX13

Heat Pump Specifications

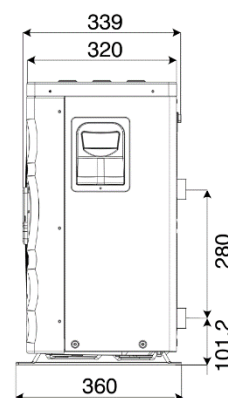
Air 27°C Water 26°C	Heating Capacity	kW	2.13 ~ 12.8
	Consumed Power	kW	0.15 ~ 2.0

Air 19°C Water 26°C	Heating Capacity	kW	1.9 ~ 11.5
	Consumed Power	kW	0.2 ~ 1.95

Air 15°C Water 26°C	Heating Capacity	kW	1.8 ~ 9.1
	Consumed Power	kW	0.26 ~ 1.9



Technical Specifications	Operating Air Temperature	°C	-7.0 ~ 43.0
	PV Ready		Yes
	Rapid Heat		Yes
	Refrigerant		R32
	IPX Rating		IPX4
	Airflow	m ³ /h	3000
	Sound Pressure at 1m	dB(A)	42 ~ 54
	Net Dimensions	<i>L x W x H</i>	934 x 360 x 618
	Shipping Dimensions	<i>L x W x H</i>	970 x 410 x 630
	Net / Shipping Weight	Kg	44 / 56



Electrical	Power Supply	V/Ph/Hz	240/1/50
	Electrical connection		15A plug
	Running Current Input	<i>per phase</i> amp	9.0
Water	Connection	mm	40
	Flow Volume	l/m	58
	Pressure Drop	<i>max</i> kPa	3.0