



X SERIES - LIGHT COMMERCIAL

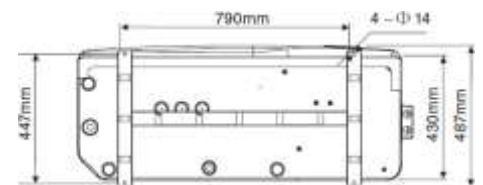
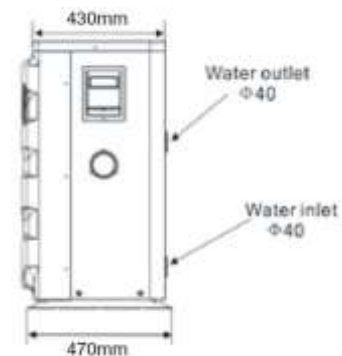
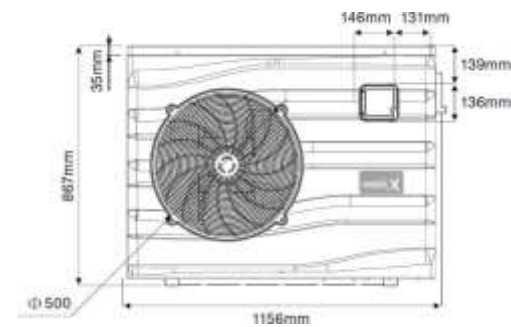
X24 Heat and Chill Heat Pump Specifications

Performance Condition: Air 27°C / Water 26°C

Heating Capacity	kW	26.1
Running Current	A	17.5

Performance Condition: Air 19°C / Water 26°C

Heating Capacity	kW	21
Heating Power Input	kW	3.8
Cooling Capacity	kW	13
Cooling Power Input	kW	4.8
Running Current	A	17.5
Power Supply	V/Ph/Hz	240/1/50
Compressor Quantity		1
Compressor		Scroll
Fan Quantity		1
Fan Power Input	W	150
Fan Rotate Speed	RPM	850
Fan Direction		Horizontal
Noise	dB(A)	56
Water Connection	Mm	40
Water Flow Volume	l/m	116
Water Pressure Drop (max)	kPa	12
Unit Shipping Dimensions	Mm (L/W/H)	1115 x 455 x 868
Net Weight / Shipping Weight	kg	108 / 123



Cooling capacity is based on 19 °C ambient air temperature and 26°C water temperature