



# Oasis I Series

## I25 Heat and Chill, Single Fan

### Heat Pump Technical Specifications

#### Performance Condition: Air 27°C / Water 26°C

Heating Capacity	kW	5.7 ~ 24.6
Running Current	A	3.2 ~ 17

#### Performance Condition: Air 19°C / Water 26°C

Heating Capacity	kW	5.1 ~ 22.9
Running Current	A	3.3 ~ 18.0

Heating Power Input	kW	0.4 - 4
---------------------	----	---------

Cooling Capacity	kW	9.5
------------------	----	-----

Cooling Power Input	kW	4.7
---------------------	----	-----

Running Current	A	3.8 ~ 19.0
-----------------	---	------------

Power Supply	V/Ph/Hz	240/1/50
--------------	---------	----------

Compressor Quantity		1
---------------------	--	---

Compressor		Rotary
------------	--	--------

Fan Quantity		1
--------------	--	---

Fan Power Input	W	150
-----------------	---	-----

Fan Rotate Speed	RPM	600 – 800
------------------	-----	-----------

Fan Direction		Horizontal
---------------	--	------------

Noise 1m	dB(A)	45 – 58
----------	-------	---------

Silence Mode 1m	dB(A)	46
-----------------	-------	----

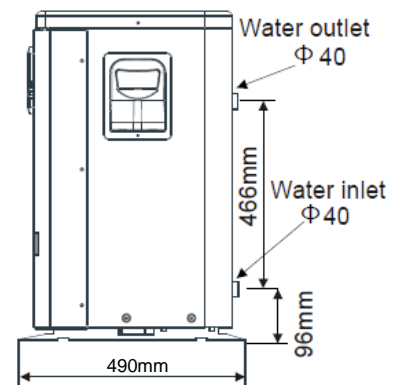
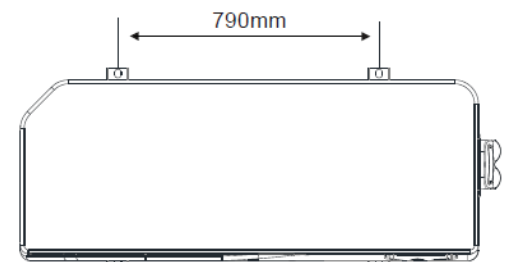
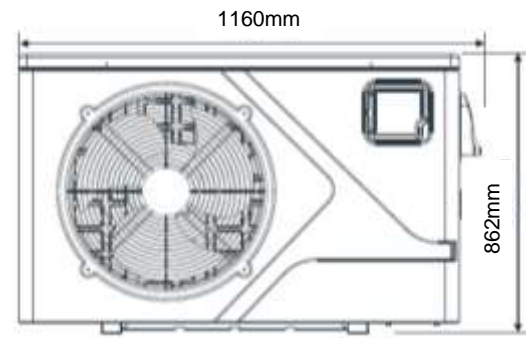
Water Connection	mm	40
------------------	----	----

Water Flow Volume	l/m	166
-------------------	-----	-----

Water Pressure Drop (max)	kPa	14
---------------------------	-----	----

Unit Shipping Dimensions	mm (L/W/H)	1210 x 510 x 880
--------------------------	------------	------------------

Net Weight / Shipping Weight	Kg	86 / 103
------------------------------	----	----------



Cooling capacity is based on 19 °C ambient air temperature and 26°C water temperature