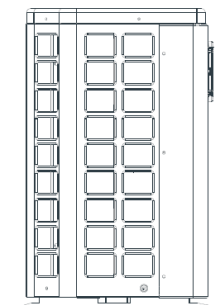
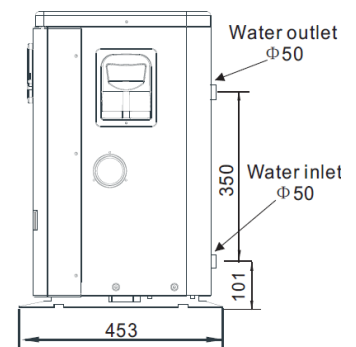
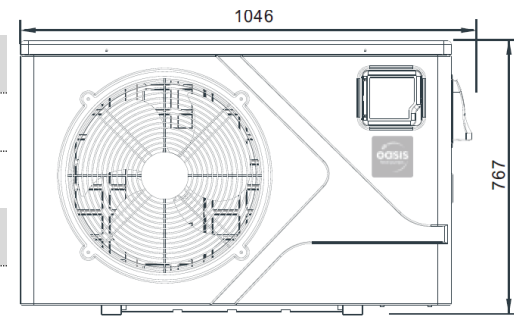




I SERIES

I17 Heat and Chill Heat Pump Specifications



Performance Condition: Air 27°C / Water 26°C

Heating Capacity	kW	3.8 ~ 17
Running Current	A	1.5 ~ 13.3

Performance Condition: Air 19°C / Water 26°C

Heating Capacity	kW	3.2 ~ 13.6
Running Current	A	2.2 ~ 12.8
Heating Power Input	kW	0.37–3.94
Cooling Capacity	kW	5.1
Cooling Power Input	kW	2.0
Running Current	A	2.2 ~ 12.8
Power Supply	V/Ph/Hz	240/1/50
Compressor Quantity		1
Compressor		Rotary
Fan Quantity		1
Fan Power Input	W	100
Fan Rotate Speed	RPM	500 – 750
Fan Direction		Horizontal
Noise 1m	dB(A)	44 – 53
Water Connection	Mm	50
Water Flow Volume	l/m	88
Water Pressure Drop (max)	kPa	5
Unit Shipping Dimensions	Mm (L/W/H)	1120 x 510 x 880
Net Weight / Shipping Weight	kg	55 / 69

Cooling capacity is based on 19 °C ambient air temperature and 26°C water temperature

Head Office
Oasis Technologies
Phone: 09 535 8891

Victoria
62 Parkhurst Dr
Knoxfield VIC 3180
T: 03 9887 2131

New South Wales
Unit 1, 20-22 Foundry Rd
Seven Hills NSW 2147
T: 02 9838 0000

Queensland
Unit 4, 8 Reichert Dr
Molendinar QLD 4214
T: 07 5679 6821

South Australia
Sahara Pools & Solar
Phone: 0412 204 306

oasisheatpumps.com