



## X SERIES

# X19 Heat and Chill Heat Pump Specifications

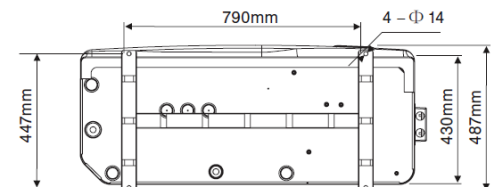
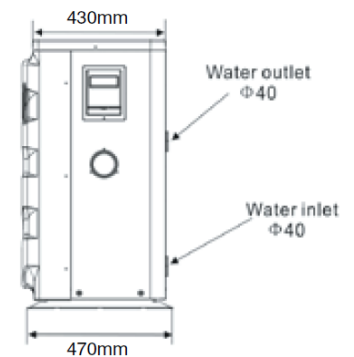
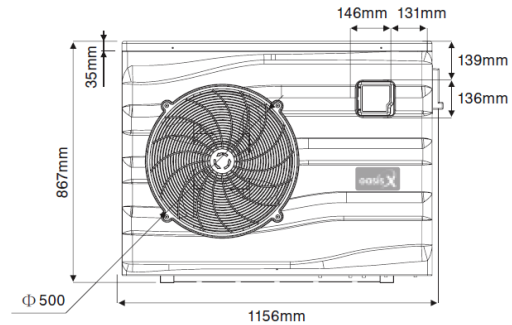


### Performance Condition: Air 27°C / Water 26°C

Heating Capacity	kW	19.3
Running Current	A	13.0

### Performance Condition: Air 19°C / Water 26°C

Heating Capacity	kW	16
Heating Power Input	kW	2.9
Cooling Capacity	kW	7.4
Cooling Power Input	kW	3.1
Running Current	A	13.0
Power Supply	V/Ph/Hz	240/1/50
Compressor Quantity		1
Compressor		Rotary
Fan Quantity		1
Fan Power Input	W	150
Fan Rotate Speed	RPM	850
Fan Direction		Horizontal
Noise	dB(A)	56
Water Connection	Mm	40
Water Flow Volume	l/m	100
Water Pressure Drop (max)	kPa	4.2
Unit Shipping Dimensions	Mm (L/W/H)	1115 x 455 x 868
Net Weight / Shipping Weight	kg	83/98



Cooling capacity is based on 19 °C ambient air temperature and 26°C water temperature